

SERVICE NOTICE

SUBJECT: ELT Metal Strap
EFFECTIVITY: KODIAK® 100 Series Aircraft

BACKGROUND

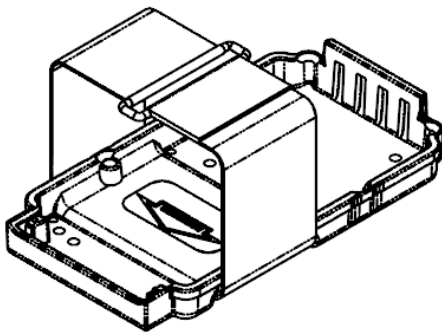
This service notice provides information regarding the Artex ME406 Metal Strap for securing the ELT to the mounting tray.

Artex is offering this new mounting strap to address concerns stated in Special Airworthiness Information Bulletin (SAIB) HQ-12-32, which was to "...inform(s) emergency locator transmitter manufacturers as well as installers and aircraft maintenance personnel of a concern with the ability of hook and loop style fasteners to retain their designed capability to restrain emergency locator transmitters during accident impact."

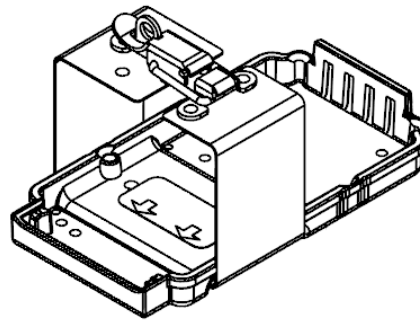
As stated in Quest Safety Communiqué QSC-004, Quest Aircraft Company, LLC offers two options for the KODIAK® 100 ELT: the base-level Artex ME406 and the GPS-enabled Artex C406-N. The information in SAIB HQ-12-32 only pertains to those aircraft with the Artex ME406 ELT installed; the Artex C406-N ELT uses mounting techniques that do not involve hook and loop retention.

DISCUSSION

Quest Aircraft Company is providing this information to notify customers that a new ME406 metal support strap for mounting the ELT to the mounting tray is now available for purchase through Artex as an alternative to the Velcro® strap. The Artex Metal Strap part number is 452-3034-1 Rev. C.



Artex Velcro® Strap



Artex Metal Strap (PN 452-3034-1 Rev. C)

INSTRUCTIONS

For more information, pricing and availability, contact Artex at 800-432-0227 or on the web at www.artex.com.

Quest Customer Service
Service Notice: SN13-12
Phone: (208) 263-1111 Toll Free: 1(866) 263-1112
Email: customerservice@questaircraft.com