

RECOMMENDED SERVICE BULLETIN**NUMBER:** SB11-19**REVISION:** 00**DATE:** November 11, 2011

SUBJECT: CREW DOOR ROLL PIN SAFETY WIRE INSTALLATION

EFFECTIVITY:

KODIAK 100 Series Aircraft Serial Numbers: 100-0001 through 100-0059

SUMMARY:

The accompanying Field Service Instruction provides guidance for the installation of safety wire in order to secure the roll pin within the crew door latch assembly.

COMPLIANCE:

This Recommended Service Bulletin should be complied with on or before the next 100 Hour Inspection, Annual Inspection, or scheduled maintenance, whichever comes first.

ATTACHED DOCUMENTS:

Document #:	Revision:	Document Title:
FSI-029	00	CREW DOOR ROLL PIN SAFETY WIRE INSTALLATION

FAA APPROVAL STATUS:

The instructions attached to this Service Bulletin have demonstrated compliance with all applicable Federal Aviation Regulations and are approved by the Federal Aviation Administration.

CREDIT AND WARRANTY INFORMATION:

Quest Aircraft Company will reimburse for the cost of this modification up to \$85.00. For reimbursement send Quest Aircraft Company a copy of the modification record, completed KODIAK 100 Warranty Claim Form, and an invoice that does not exceed the amount listed above.

Quest Customer Service**Service Bulletin: SB11-19****Phone: (208)263-1111 Toll Free: 1(866)263-1112****Email: Customercare@questaircraft.com****SPECIAL INSTRUCTIONS:**



FIELD SERVICE INSTRUCTION

TITLE: Crew Door Roll Pin Safety Wire Installation
SERIAL RANGE: 100-0001 through 100-0059
JASC CODE: 5210

PAGE: 1 of 6
REPORT NO.: FSI-029
REVISION: 00

SUBJECT

This Field Service Instruction provides guidance for the installation of safety wire in order to secure the roll pin within the crew door latch assembly.

AFFECTED MANUALS AND PUBLICATIONS

None.

INDUSTRY REFERENCES

None.

WEIGHT AND BALANCE

Negligible.

MANPOWER

The estimated manhours and minimum number of persons required to perform this Field Service Instruction are listed below. The “Minimum Persons” refers only to maintenance personnel or installers, and unless otherwise specified within this instruction does not include additional personnel that may be needed solely to comply with safety requirements (for example, safety observers that are not performing tasks within this instruction). It is the responsibility of maintenance personnel to comply with safety requirements, including having a safety observer available as needed.

Estimated Manhours: 1 hour

Minimum Persons: 1 persons

If more than the minimum personnel perform this instruction, the actual manhours required may be reduced due to increased efficiencies. As appropriate, Quest encourages the use of additional personnel; manhour estimates are based on the minimum personnel required.

RECORD OF COMPLETION

- Update the *KODIAK 100 Maintenance Log Books*

Quest Aircraft Company, LLC
1200 Turbine Drive
Sandpoint, ID 83864



FIELD SERVICE INSTRUCTION

TITLE: Crew Door Roll Pin Safety Wire Installation

SERIAL RANGE: 100-0001 through 100-0059

JASC CODE: 5210

PAGE: 2 of 6

REPORT NO.: FSI-029

REVISION: 00

REVISION RECORD

REV	PAGE	CHANGE DESCRIPTION
00	All	Initial Release



FIELD SERVICE INSTRUCTION

TITLE: Crew Door Roll Pin Safety Wire Installation

SERIAL RANGE: 100-0001 through 100-0059

JASC CODE: 5210

PAGE:

3 of 6

REPORT NO.:

FSI-029

REVISION:

00

TABLE OF CONTENTS

REVISION RECORD.....	2
TABLE OF CONTENTS.....	3
1. Special Safety Instructions.....	4
1.1 Warnings	4
1.2 Cautions.....	4
1.3 Notes.....	4
2. Parts, Tools, and Equipment	4
Table 2-1: Parts and Tools Included in the Service Kit.....	4
Table 2-2: Consumables Included in the Service Kit.....	4
Table 2-3: Serial-Number-Specific Parts Included in the Service Kit	4
Table 2-4: Parts and Tools NOT Included in the Service Kit	4
3. General.....	5
4. Preparation	5
5. Instructions.....	5
5.1 Pilot Crew Door.....	5
5.1.1 Cover Plate Removal	5
Figure 5-1: Crew Door Access Panels	5
5.1.2 Roll Pin Location	5
Figure 5-2: Roll Pin location.....	5
5.1.3 Safety Wire Installation	6
Figure 5-3: Safety Wire Installation.....	6
5.1.4 Cover Plate Installation.....	6
5.2 Copilot Crew Door	6
6. Completion.....	6



FIELD SERVICE INSTRUCTION

TITLE: Crew Door Roll Pin Safety Wire Installation
SERIAL RANGE: 100-0001 through 100-0059
JASC CODE: 5210

PAGE: 4 of 6
REPORT NO.: FSI-029
REVISION: 00

1. Special Safety Instructions

1.1 Warnings

Failure to comply with “Warnings” contained in this instruction may result in financial loss, significant delay in the completion time, and/or serious injury to personnel.

1.2 Cautions

Failure to comply with “Cautions” contained in this instruction may result in the destruction of components, unnecessary complications, the need to reverse completed work, and/or delays in the completion time.

1.3 Notes

“Notes” are provided when additional information may lead to an increase in efficiency.

2. Parts, Tools, and Equipment

The following tables describe the parts, tools, and equipment necessary to successfully complete this instruction. Where applicable, reference to drawings provided with this instruction is provided.

Table 2-1: Parts and Tools Included in the Service Kit

Item #	Part No.	Qty	Description	Drawing No.	Dwg Item #
2-1-1	N/A	N/A	N/A	N/A	N/A

Table 2-2: Consumables Included in the Service Kit

Item #	Part No.	Qty	Description	Drawing No.	Dwg Item #
2-2-1	N/A	N/A	N/A	N/A	N/A

1: Consumables may be shipped separately from the primary kit.

Table 2-3: Serial-Number-Specific Parts Included in the Service Kit

Item #	Part No.	Qty	Description	Drawing No.	Dwg Item #
2-3-1	N/A	N/A	N/A	N/A	N/A

Table 2-4: Parts and Tools NOT Included in the Service Kit

Item #	Part No.	Qty	Description	Drawing No.	Dwg Item #
2-4-1	Commercially Available	1	0.032" Safety Wire	N/A	N/A

3. General

The instructions contained within this Field Service Instruction provide information for the installation of safety wire onto the roll pin within the crew door latch assembly. The following instructions are to be completed on both crew doors.

4. Preparation

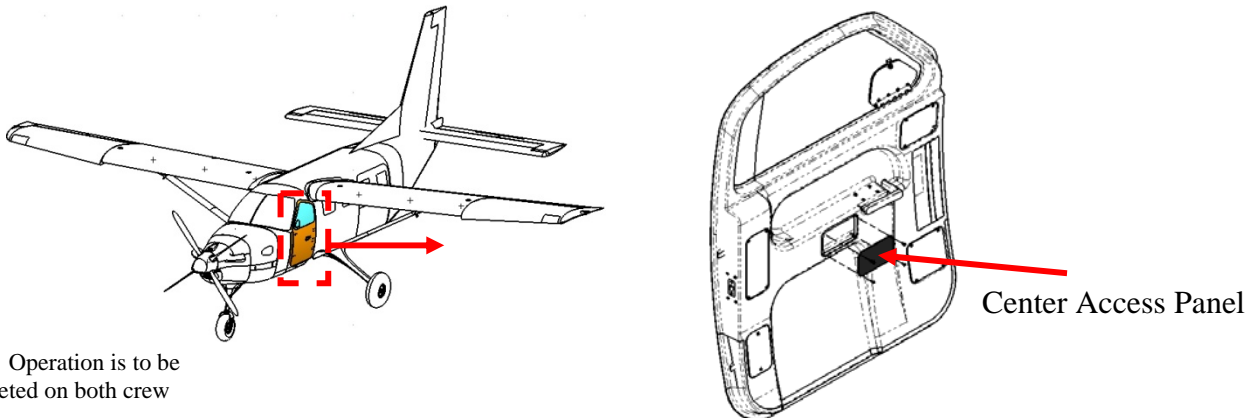
None

5. Instructions

5.1 Pilot Crew Door

5.1.1 Cover Plate Removal

Loosen and remove the four (4) screws securing the crew door center access panel, as shown in **Figure 5-1**.



Note: Operation is to be completed on both crew doors.

Figure 5-1: Crew Door Access Panels

5.1.2 Roll Pin Location

Locate the roll pin as shown in **Figure 5-2**.

Note: Components have been removed for clarity.

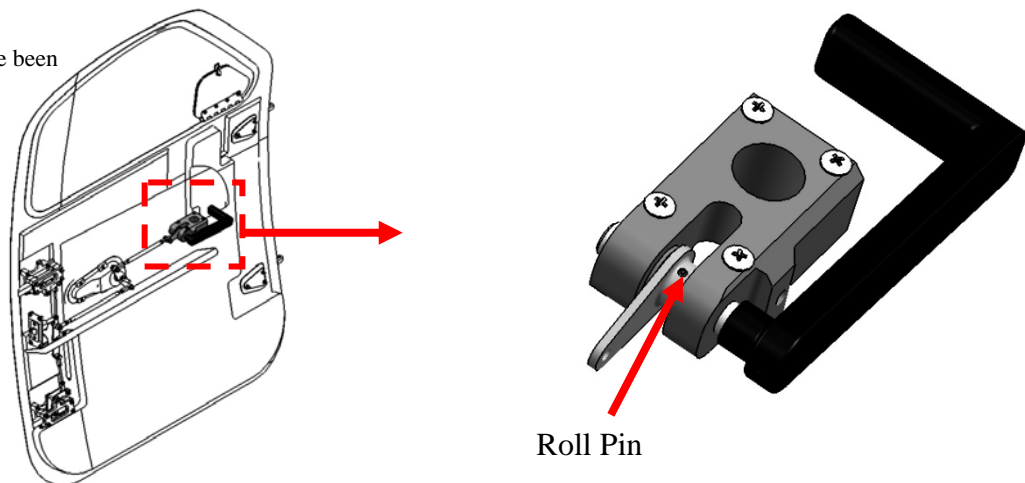


Figure 5-2: Roll Pin location

5.1.3 Safety Wire Installation

1. Before installing the safety wire, ensure that the roll pin is fully installed into the lever arm.
2. Using 0.032" safety wire, secure the roll pin to the lever arm by installing the safety wire through the roll pin and around the shoulder of the lever arm. Using standard industry practices, secure the safety wire into position with a twisted tail. Refer to **Figure 5-3** for further details.

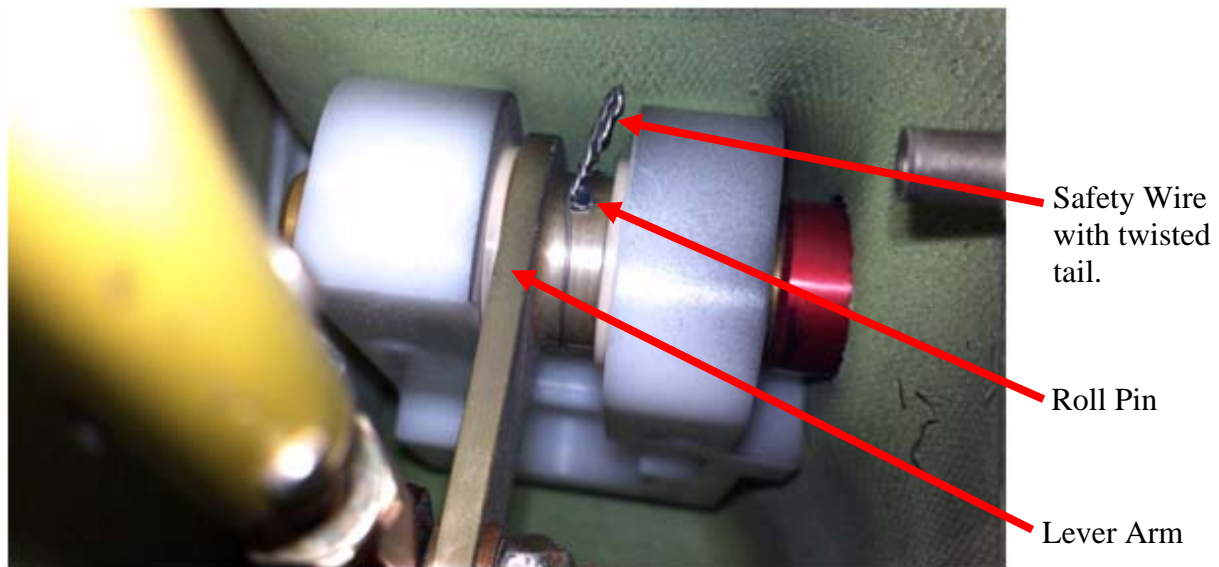


Figure 5-3: Safety Wire Installation

▲ NOTE ▲

Ensure that the safety wire does not rub against the surrounding components during the operation of the crew door handle.

5.1.4 Cover Plate Installation

Reinstall the center cover plate using the four (4) screws from **Section 5.1**.

5.2 Copilot Crew Door

Complete **Section 5.1.1** through **Section 5.1.4** on the copilot crew door.

6. Completion

Upon completion, record all work performed in the appropriate *KODIAK 100 Maintenance Records*.

---END---