

MANDATORY SERVICE BULLETIN

NUMBER: SB-032
REVISION: A
DATE: 10/26/2010

SUBJECT: NOSE WHEEL STEERING, Mandatory Steering Bungee Inspection and Modification

EFFECTIVITY:

KODIAK 100 Series Aircraft Serial Numbers:
• **100-0001 through 100-0044**

SUMMARY:

Quest Aircraft Company has received a single report that during a maintenance inspection of a KODIAK 100, excessive movement and play was found between the Steering Bungee Rod End Housing (P/N 100-617-0147) and the Steering Bungee Rod End (P/N 100-617-0146) with the Lock nut tightened to specifications.

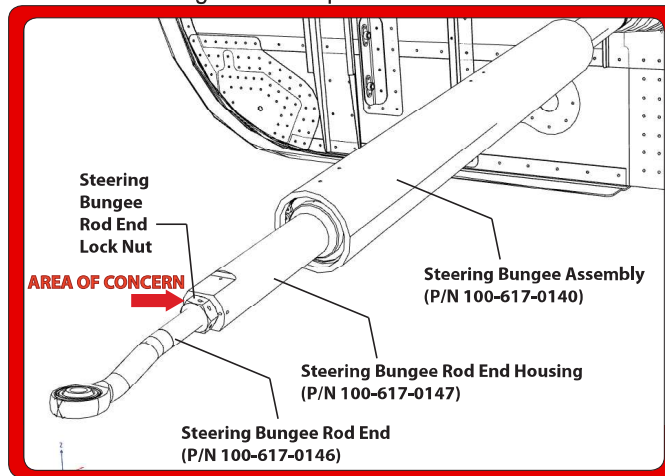


Figure 1: Steering Bungee Inspection Location

ACTION:

Quest Aircraft Company is mandating a one-time inspection and modification to check the Steering Bungee (P/N 100-617-0140) for movement in the area where the Steering Bungee Rod End Housing (P/N 100-617-0147) connects to the Steering Bungee Rod End (P/N 100-617-0146) (See Figure 1). The Steering Bungee modification (FSI-018) consists of installation of a Locking End Cap to the Steering Bungee.

Inspection and accomplishment instructions can be found in the next section of this Service Bulletin. The Steering Bungee Modification kit (FSI-018) can be ordered through Quest Aircraft Company Customer Care. There is no charge for FSI-018. If movement is found at the area of concern, do not operate the aircraft with this condition present and report the inspection results immediately to Quest Aircraft Company Customer Care.

AFFECTED PARTS:

- Steering Bungee (P/N 100-617-0140)

FAA APPROVED:

The inspection and modification described in this Service Bulletin has shown compliance with the applicable Federal Aviation Regulations and is FAA Approved.

COMPLIANCE:

Section 1 of this Mandatory Service Bulletin must be completed on or before the next **10 flight hours**. The Steering Bungee modification (FSI-018) **Section 2**, must be completed on or before the next scheduled maintenance, 100 hour inspection, or annual inspection, whichever occurs first.

INFORMATION CONTINUED ON THE NEXT PAGE...

Quest Aircraft Company, LLC
© Copyright 2010
All Rights Reserved

No part of this document may be reproduced, copied, transmitted, disseminated, downloaded or stored in any storage medium, for any purpose without the express prior written consent of Quest Aircraft Company, LLC.

KODIAK

MANDATORY SERVICE BULLETIN SB-032



INDUSTRY SUPPORT INFORMATION:

N/A

WEIGHT AND BALANCE:

The procedure contained in this Service Bulletin does not alter the weight and balance of the aircraft.

MANPOWER:

The instructions contained in this Service Bulletin will take approximately:

- 0.5 hours (for inspection)
- 1.0 hours (for FSI-018 Steering Bungee Locking Cap Installation)

CREDIT and WARRANTY INFORMATION:

Quest Aircraft Company will reimburse for the cost of this inspection and modification up to \$112.50 for aircraft still under Factory Warranty. For reimbursement, send Quest Aircraft Company a copy of the inspection and the registration and serial number of the aircraft on which the inspection was accomplished. Send or e-mail the information in attention to:

Quest Customer Service

Service Notification Compliance Feedback (SB-032)

1200 Turbine Dr.

Sandpoint ID, 83864

Phone: 1-866 263-1112 or 1-208 263-1111

E-mail: customercare@questaircraft.com

COMPLETION:

Record the work performed in the KODIAK 100 Maintenance Records.

ACCOMPLISHMENT INSTRUCTIONS:

Accomplishment Instructions are listed in the next section of this Service Bulletin.

LOG OF CHANGES

Revision:	Date:	Description of Change:
A	10/26/2010	Initial Release

ATTACHED DOCUMENTS

Document #:	Date:	Document Title:
N/A	N/A	N/A

SPECIAL PARTS, TOOLS, AND EQUIPMENT

The following parts, tools, and equipment are needed in order to complete the instructions contained within.

Special parts and tools included in this Service Bulletin Kit:

Part Number	Description	Quantity
None	None	N/A

Special Tools Required that are **NOT** Provided in this Service Bulletin Kit:

Tool Name	Tool Duty
None	None



1. SECTION 1: STEERING BUNGEE INSPECTION

1.1 STEERING BUNGEE INSPECTION

Inspect the Steering Bungee assembly (P/N 100-617-0140) using the procedure listed below.

PROCEDURE:

1. Gain access to the Steering Bungee assembly (P/N 100-617-0140) using the procedures defined in the KODIAK 100 Maintenance Manual. Follow all safety precautions listed in the KODIAK 100 Maintenance Manual prior to accessing the Engine Compartment.
2. Inspect the Steering Bungee assembly (P/N 100-617-0140) for movement in the area where the Steering Bungee Rod End Housing (P/N 100-617-0147) connects to the Steering Bungee Rod End (P/N 100-617-0146) (See **Figure 1**):
 - a. Manually move the Steering Bungee in all directions at the area of concern noted in **Figure 1**. Observe for movement between the Steering Bungee Rod End Housing (P/N 100-617-0147) and the Steering Bungee Rod End (P/N 100-617-0146). There should be no relative movement between the two. If movement is found, the Steering Bungee Rod End Lock Nut should be verified for proper torque (reference the KODIAK 100 Maintenance Manual, 180-200 in-lbs). If relative movement is still found, contact Quest Aircraft for a replacement Steering Bungee assembly.

2. SECTION 2: FSI-018 STEERING BUNGEE LOCKING CAP INSTALLATION

1.2 COMPLETE THE STEERING BUNGEE MODIFICATION

1. Once **Section 1** is complete, perform the instructions in **FSI-018** to modify the Steering Bungee within the time frame listed in the Compliance Section on **Page 1**. This modification installs a Locking End Cap to the Steering Bungee Rod End (P/N 100-617-0146) assembly.

////////////////////////////////////-- END OF INSTRUCTIONS --////////////////////////////////////